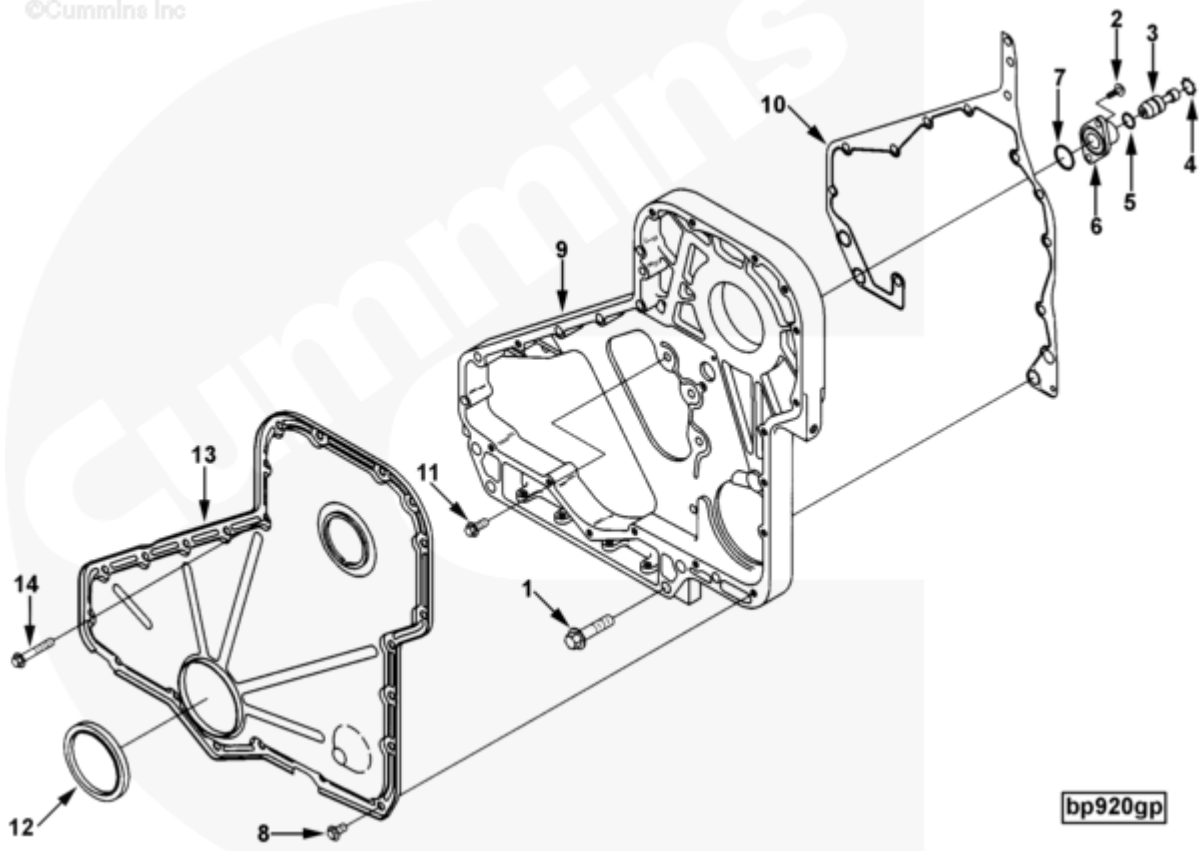




## Parts Catalog - Option Detail

Electronic Parts Catalog - Option Detail				
Option	Group	Graphic	Film Card	Date
BP97016-03	01.06	bp920gp	Z	23-OCT-03
<b>Engines</b>	6C8.3, C GAS PLUS CM556, G8.3, G8.3 CM558, GTA8.3 CM558, ISC CM2150, ISC CM554, ISC CM850, ISC8.3 CM2250, ISC8.3 G CM2180 C101, ISL CM2150, ISL CM554, ISL CM850, ISL G CM2180, ISL8.9 CM2150 L110, ISL8.9 CM2880 L112, ISL9 CM2150 SN, ISL9 CM2250, ISL9 CM2350 L101, ISL9 CM2350 L111, ISLE4 CM850, L GAS PLUS CM556, L8.9, L8.9 L121, L8.9G CMOH2.0 L125B, L9 CM2350 L116B, L9 CM2350 L119B, L9 CM2350 L120C, L9 CM2350 L123B, L9.3 L105, L9.5 L117, L9N CM2380 L124B, QSC8.3 CM2250, QSC8.3 CM2880 C102, QSC8.3 CM554, QSC8.3 CM850(CM2850), QSL9 CM2250, QSL9 CM2250 L115, QSL9 CM2350 L102, QSL9 CM2350 L107, QSL9 CM2350 L118, QSL9 CM2350 L122, QSL9 CM554, QSL9 CM850(CM2850), QSL9 G CM558, QSL9 M CM2250 L106, QSL9.3 CM2880 L113			



[SMALL](#) | [MEDIUM](#) | [LARGE](#)

Cart	Ref No	Part Number	Part Description	Required	Remarks
<a href="#">View My Cart</a>					
		<a href="#">BP97016-03</a>	Front Gear Cover		<a href="#">FRONT GEAR COVER...(More)</a>
					Family: C Series
					Noise Dampening Panel

					Provision: No
					PTO Location: High
					Front Support Provision: No
					Access for Tach Drive: Yes
					Gear Housing Material: Cast
					Aluminum
					Fuel Pump: Bosch P3000,
					Bosch P7100
					Brazil may use P/N 3971265
					instead of 3926841.
<input type="checkbox"/>	1	<a href="#">3902116</a>	Hexagon Flange Head Cap Screw	4	M12 X 1.75 X 50.
<input type="checkbox"/>	2	<a href="#">3907998</a>	Round Head Cap Screw	2	M5 x 0.80 x 17
<input type="checkbox"/>	3	<a href="#">3903924</a>	Timing Pin	1	
<input type="checkbox"/>	4	<a href="#">3904849</a>	Retaining Ring	1	
<input type="checkbox"/>	5	<a href="#">3913994</a>	O-Ring Seal	1	
<input type="checkbox"/>	6	<a href="#">3919683</a>	Timing Pin Housing	1	
<input type="checkbox"/>	7	<a href="#">3915772</a>	Rectangular Ring Seal	1	
<input type="checkbox"/>	8	<a href="#">3900629</a>	Hexagon Flange Head Cap Screw	17	M8 X 1.25 X 16
<input type="checkbox"/>	9	<a href="#">3929555</a>	Gear Housing	1	
<input type="checkbox"/>	10	<a href="#">3938737</a>	Gear Housing Gasket	1	
<input type="checkbox"/>	11	<a href="#">3926846</a>	Hexagon Flange Head Cap Screw	5	M8 X 1.25 X 20.
<input type="checkbox"/>		<a href="#">4025270</a>	Front Seal Service Kit	1	Includes Installation Tool
	12	<a href="#">3921927</a>	Oil Seal	1	
	13	<a href="#">3925231</a>	Gear Cover	1	
<input type="checkbox"/>	14	<a href="#">3926863</a>	Hexagon Flange Head Cap Screw	6	M8 X 1.25 X 50.